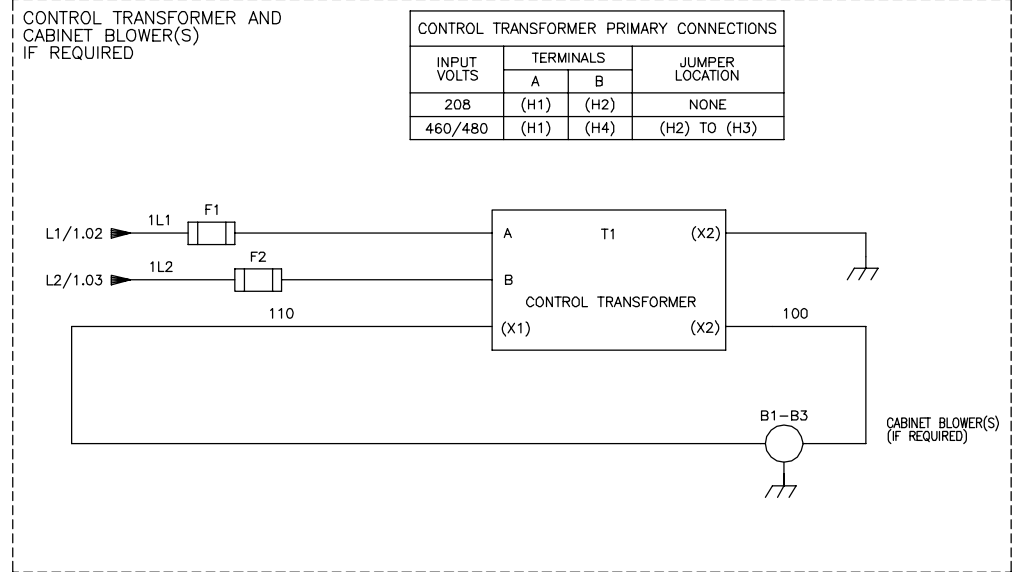


INPUT VOLTS	TERMINALS		JUMPER LOCATION
	A	B	
208	(H1)	(H2)	NONE
460/480	(H1)	(H4)	(H2) TO (H3)



- NOTES:
1. CUSTOMER TO CONNECT THE CABINET GROUND LUG TO EARTH GROUND.
 2. WITHOUT THE INPUT CIRCUIT BREAKER OPTION PC OR PM, BRANCH CIRCUIT PROTECTION MUST BE SUPPLIED BY THE INSTALLER.
 3. FOR 208VAC APPLICATIONS SET PARAMETERS E1-01 AND E1-05 TO 208.

* - INDICATES COMPONENTS NOT SUPPLIED BY YASKAWA.
 - - INDICATES CUSTOMER WIRING.
 SEE DRAWING UDE00362 FOR CUSTOMER CONNECTION TABLES.

REVISIONS				DATE	DRAWN BY	DATE	TITLE
REV.	DESCRIPTION	ECO #	DATE				
01	ADDED UDE00362 DRAWING NOTE	7462	KM	10/28/16			SCHEMATIC DIAGRAM Z1000 CONFIGURED
00	INITIAL RELEASE	-	DRC	6/12/13			

YASKAWA

THIS DOCUMENT AND INFORMATION CONTAINED IN IT ARE CONFIDENTIAL, AND CANNOT BE COPIED OR DISCLOSED IN WHOLE OR IN PART WITHOUT THE EXPRESS WRITTEN CONSENT OF YASKAWA AMERICA INC.

DRAWN BY:	D.R. CMELAK	DATE:	6/12/13
CHECKED BY:	K. MALUSIC	DATE:	6/12/13
APPROVED BY:	K. FLIERL	DATE:	6/12/13
ORIGINAL DESIGN:	D.R. CMELAK	DATE:	6/12/13

SIZE: D REVISION: 01 PAGE: 1 of 1
 DRAWING #: DS.Z1C1.02